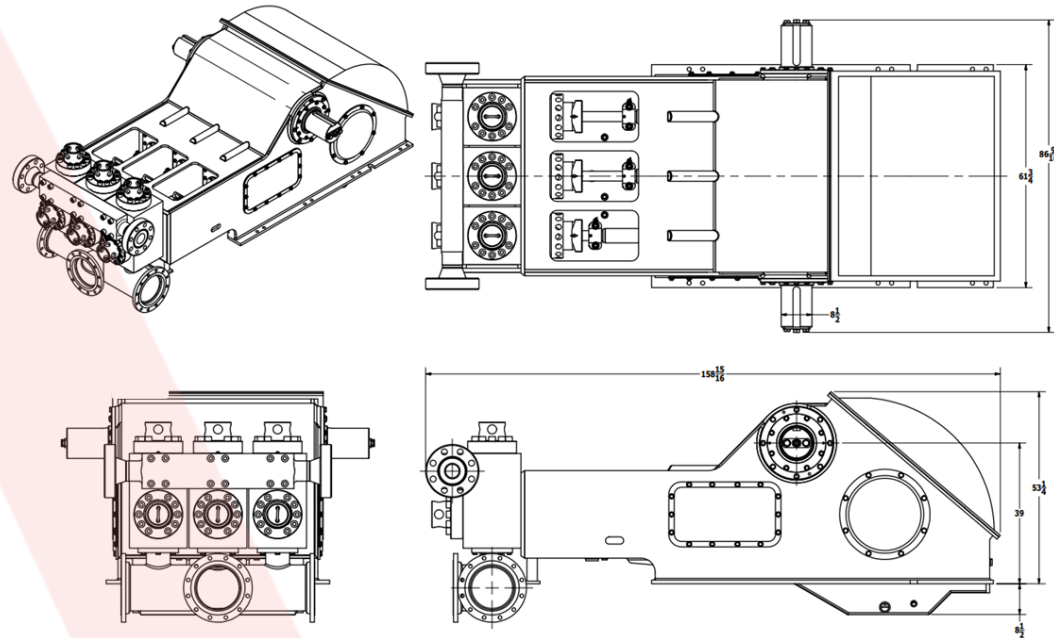




American Mud Pumps® provides **smooth triplex performance** and high efficiency pumps, for continuous duty rated drilling and workover operations.

The pump's light weight and flexible design make it **easily adaptable** to a variety of rig configurations and drilling requirements and conditions changes throughout.



**Features**

- Minimum weight/maximum performance with continuous duty life expectancy.
- High performance high strength steel fabricated power end with steel herringbone gears.
- Anti-friction roller bearings throughout.
- High strength structural steel frames.
- Forged steel eccentric crankshaft.
- Double (redundant) failsafe internal lube system.
- Metal to metal liner lock.
- High capacity liner wash system.

**Technical specification data**

Input horsepower rating	1300
Pump speed	140
Stroke length	12.00"
Maximum piston size	6.75"
Fluid end working pressure rating	5,000 Psi
Discharge connection size	5.00" Flange
Suction connection size	12.00" Flange
Crankcase oil capacity	120 Gallons
Liner wash capacity	85 Gallons
Internal gear ratio	4.41: 1
Pump weight complete (Less skid)	31,500 Lbs
Overall dimensions (L x W x H)	158.93" X 86.56" X 61.75"

AMP-1300 High Performance 12.00" Stroke Triplex		Strokes Per Min	60	80	100	110	120	130	140
		Input HP*	557	743	929	1021	1114	1207	1300
Piston Size	Discharge Pressure Rating	Output Gal/Rev	Output – Gallons Per Minute**						
7.00"	2,521	5,577	360	480	600	660	720	780	840
6.50"	2,924	5,171	310	414	517	569	621	672	724
6.00"	3,431	4,406	264	353	441	485	529	573	617
5.50"	4,084	3,703	222	296	370	407	444	481	518
5.00"	4,941	3,060	184	245	306	337	367	398	428
4.50"	5,000*	2,479	149	198	248	273	297	322	347

\* Based on 95% mechanical efficiency, \*\*Based on 100% volumetric efficiency.



**American Mud Pumps Inc**

3050 Post Oak Blvd. Suite 510,  
 Houston TX. 77056 United States of America

Main: +1 (713) 979-0533

Fax: +1 (713) 979-0534

customerservice@americanmudpumps.com [www.americanmudpumps.com](http://www.americanmudpumps.com)



Connect with our expert team today!

