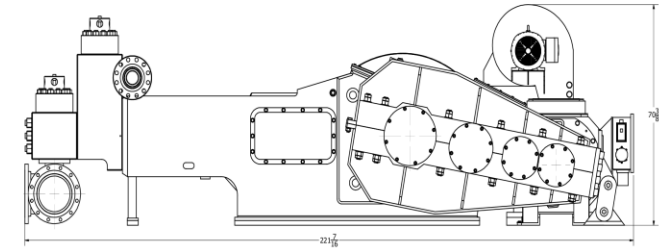
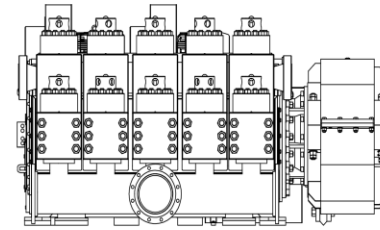
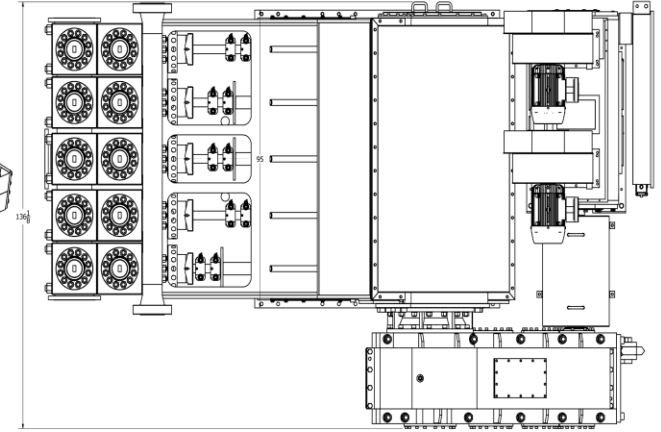
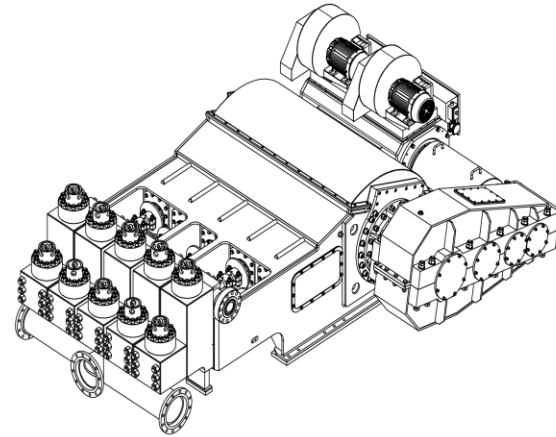


Drilling and Workover

QUINTUPLEX

AMPQ-2400 (221~1,607 GPM)

Technical specification data	
Input horsepower rating	2400
Pump speed	140
Stroke length	12.00"
Maximum piston size	7.50"
Fluid end working pressure rating	7,500 Psi
Discharge connection size	5.00" Flange
Suction connection size	12.00" Flange
Crankcase oil capacity	180 Gallons
Linerwash capacity	100 Gallons
Pump weight complete (Less skid)	59,500 Lbs
Overall dimensions (L x W x H)	221.43" X 136.12" X 70.37"



Features

- Minimum weight/maximum performance with continuous duty life expectancy.
- 33% increase in MWD/LWD frequency bandwidth.
- 66% increase in the MWD/LWD data transfer rate.
- Four main bearing design eliminates crankshaft deflection.
- High performance structural steel fabricated power end.
- Anti-friction roller bearings throughout.
- Forged steel eccentric crankshaft.
- Double (redundant) failsafe internal lube system.
- Metal to metal liner lock.

AMPQ-2400 High Performance 12.00" Stroke Quintuplex		Strokes Per Min.	60	80	100	110	120	140
		Input HP*	1069	1371	1714	1886	2057	2400
Piston Size	Discharge Pressure Rating	Output Gal/Rev	Output - Gallons Per Minute**					
7.50"	2,433	11,475	689	918	1148	1262	1377	1607
7.00"	2,792	9,996	600	800	1000	1100	1200	1399
6.50"	3,239	8,619	517	690	862	948	1034	1207
6.00"	3,801	7,344	441	588	734	808	881	1028
5.50"	4,523	6,171	370	494	617	679	741	864
5.00"	5,473	5,100	306	408	510	561	621	714
4.50"	6,757	4,131	248	330	413	454	496	578
4.25"	7,500*	3,685	221	285	368	405	442	516

* Based on 95% mechanical efficiency, **Based on 100% volumetric efficiency.